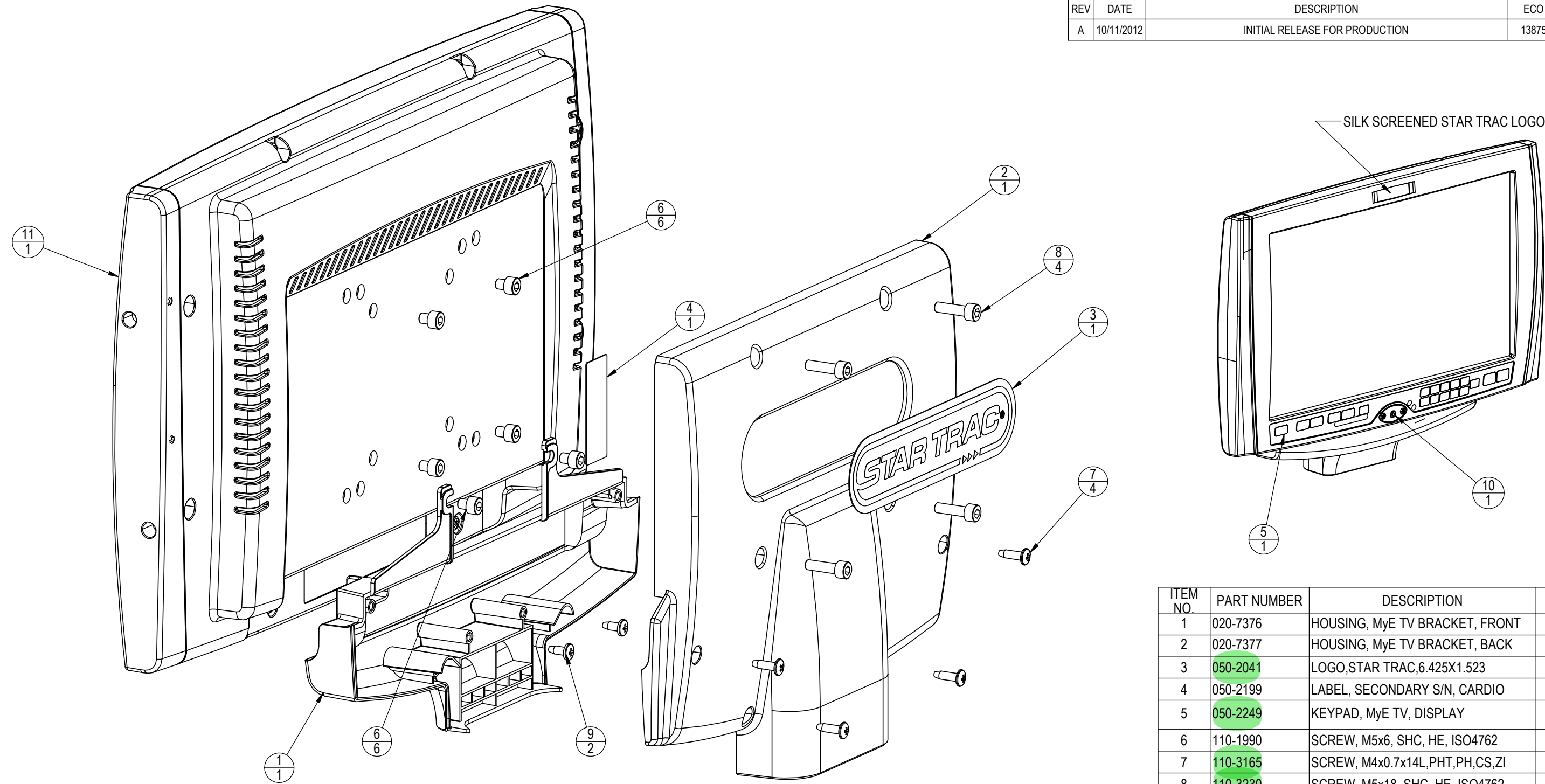


REVISION HISTORY				
REV	DATE	DESCRIPTION	ECO	BY
A	10/11/2012	INITIAL RELEASE FOR PRODUCTION	13875	KEY



ITEM NO.	PART NUMBER	DESCRIPTION	QTY.
1	020-7376	HOUSING, MyE TV BRACKET, FRONT	1
2	020-7377	HOUSING, MyE TV BRACKET, BACK	1
3	050-2041	LOGO, STAR TRAC, 6.425X1.523	1
4	050-2199	LABEL, SECONDARY S/N, CARDIO	1
5	050-2249	KEYPAD, MyE TV, DISPLAY	1
6	110-1990	SCREW, M5x6, SHC, HE, ISO4762	6
7	110-3165	SCREW, M4x0.7x14L, PHT, PH, CS, ZI	4
8	110-3230	SCREW, M5x18, SHC, HE, ISO4762	4
9	110-3252	SCREW, M4x0.7x10L, PHT, PH, CS, BO	2
10	715-3914	ASSY, HEADPHONE MyE TV	1
11	715-3915	DISPLAY MyE, 15.6" LCD, ATSC/NTCS	1

NOTICE OF PROPRIETARY INFORMATION
 THIS DOCUMENT SHALL NOT BE REPRODUCED NOR SHALL THE INFORMATION CONTAINED HEREIN BE USED BY OR DISCLOSED TO OTHER EXCEPT AS EXPRESSLY AUTHORIZED BY CORE INDUSTRIES, INC., D.B.A. STAR TRAC.

DOCUMENT STATUS:

NOTES:
 1. ALL HARDWARE NEEDED TO MOUNT THE TV TO THE BRACKET MUST BE PROVIDED IN A SINGLE BAG.

CLASS OF WORK	UNLESS OTHERWISE SPECIFIED DIMS ARE IN mm. TOLERANCES FOR MEASURE OF LENGTH ARE:							ANGLES = ±2°
	0.5 to 3	>3 to 6	>6 to 30	>30 to 120	>120 to 400	>400 to 1000	>1000 to 2000	
FINE	±0.05	±0.05	±0.1	±0.15	±0.2	±0.3	±0.5	----
MEDIUM X	±0.1	±0.1	±0.2	±0.3	±0.5	±0.8	±1.2	±2
COARSE	±0.2	±0.3	±0.5	±0.8	±1.2	±2	±3	±4
VERY COARSE	----	±0.5	±1	±1.5	±2.5	±4	±6	±8

MATERIAL	
FINISH	
VENDOR:	P/N:

THIRD ANGLE PROJECTION		
DRAWN	INITIAL	DATE
CHECKED	KEY	10/11/12
APPROVED		
	U.O.M.	MM

CORE INDUSTRIES, INC. DBA			14410 Myford Road Irvine CA 92606	
STARTRAC PART NO		715-3916		REV
				A
TITLE				
TV, MyE, 15.6" LCD, ATSC/NTCS				
SCALE: 1:2	SHEET 1 OF 1	SHEET SIZE: B		